

HED TBO-8014C

Covered-up camera

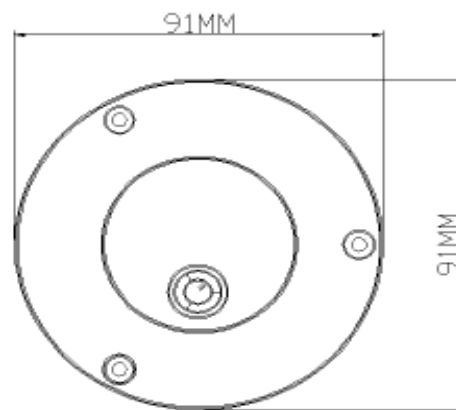
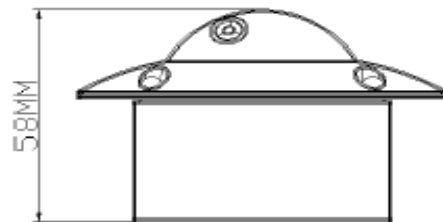
Feature

- 1/3" SONY CCD
- PAL:752□H□*582□V□ NTSC□768□H□*494□V□
- Resolution: 480TVL
- Illumination: 0.00045 Lux/F1.2(Sens-up mode)
- 3.6mm lens
- Power Supply: DC12V



Parameter

Model	HED TBO-8014C
CCD	1/3" SONY CCD
Number of pixels	PAL:752□H□*582□V□ NTSC□768□H□*494□V□
System	PAL/NTSC standard system
Sync System	Internal
Resolution	480 TV lines
Minimum illumination	0.1LUX/F1.2
Electronic shutter	NTSC:1/60~1/120,000,PAL:1/50~1/100,000
S/N ratio	>50dB
Gamma modification	0,45
Gain control	Auto
Back light compensation	Auto
White balance	Auto
Video output	1.0Vp-p composite video, 75Ω
Supply voltage	DC12V
Power consumption	110mA
Lens	3.6mm lens□
Operation temp.	-10□□+50□
Dimension package	Please refer to the right figure
G.W	
N.W	215g



■

↑