

HED-NR0404M

4 Channel 1U Network Video Recorder



16 channel@D1, 8 channel@720P, 4 channel@1080P IP camera inputs, It can support HDMI, VGA, USB2.0 and 2 HDDs.

Features

- > 4 channel 1U standalone Network Video Recorder
- > Dual-core CPU presents the powerful preview, recording, playback and network performance
- > Up to 4 channel 1080P cameras realtime live view
- > H.264/MPEG-4 dual codec decoding
- > 16 channel@D1, 8 channel@720P, 4 channel@1080P realtime recording
- > All channel simultaneous realtime playback, GRID interface & smart search
- > Support Multi-brand network cameras such as: Arecont Vision, AXIS, Canon, Dynacolor, Panasonic, SAMSUNG, SANYO, SONY and ONVIF
- > Support remote network camera encoding setting & image adjust
- > IP Search feature to automatically discover network cameras
- > Support 2 SATA HDDs up to 6TB, 2 USB2.0
- > Built-in web server, CMS(DSS/PSS) & DMSS

HED-NR0404M



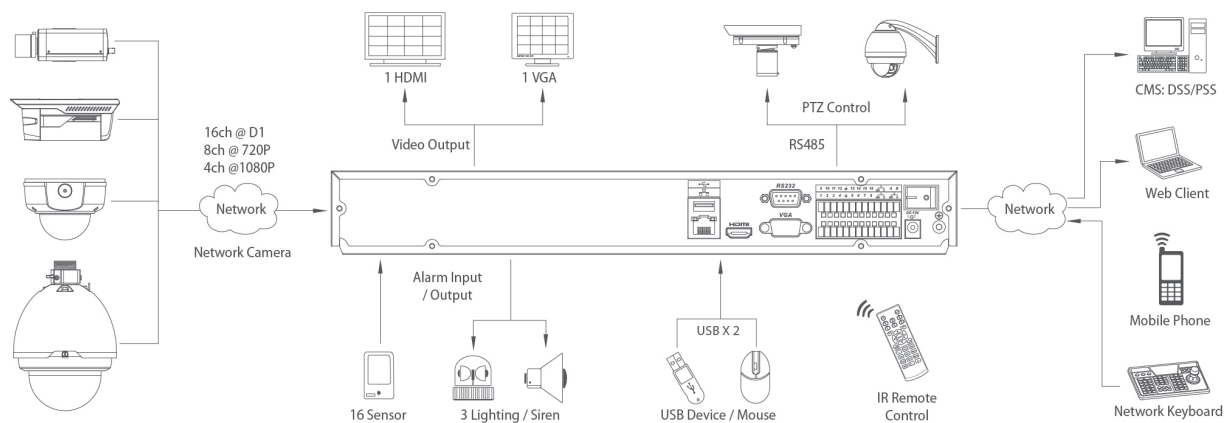
Specifications

Model	HED-NR0404M
System	
Main Processor	High performance Dual-core embedded microprocessor
Operating System	Embedded LINUX
System Resources	Pentaplex function: live, recording, playback, backup & remote access
Control Mode	Front panel, USB mouse, IR remote control, Keyboard, Network
Video	
IP Camera Input	16 channel@D1 / 8 channel@720P / 4 channel@1080P
IP Camera Supported List	Arecont Vision, AXIS, Canon, Dynacolor, Panasonic, SAMSUNG, SANYO, SONY, ONVIF
Output	1 HDMI(video & audio), 1 VGA
Display	
Display Split	1/4/8/9/16
Resolution	1920×1080, 1280×1024, 1280×720, 1024×768
Tour Display	Support
Privacy Masking	4 self-defined four-sided zones for privacy masking for each camera
OSD	Camera title, time, video loss, camera lock, motion detection, recording
Recording	
Compression	H.264 / MPEG4
Recording Resolution	1080P(1920×1080) / 720P(1280×720) / D1 (704×576/704×480)
Recording Speed	Up to 400/480fps@D1 Up to 200/240fps@720P Up to 100/120fps@1080P
Recording Bit Rate	Up to 32Mbps
Recording Quality	CBR, VBR(1~6 level, level 6 is the best)
Recording Mode	Manual, Schedule(Regular(Continuous), MD(Video detection: Motion detection, Camera blank, Video loss), Alarm), Stop
Recording Priority	Manual >Alarm >MD >Regular
Recording Interval	1~120 min (default: 60 min)
Video Detection & Alarm	
Trigger Events	Recording, PTZ movement, Tour, Alarm, Email, FTP, Buzzer & Screen tips
Motion Detection	Zones: 396(22×18), Sensitivity: 1~6 (level 6 is highest)
Video Loss & Camera Blank	Support
Alarm Input	16 channel
Relay Output	3 channel
Playback & Backup	
Playback Channel	1/2/4/All
Search Mode	Time/Date, Alarm, MD & Exact search (accurate to second), Smart search
Playback Function	Play, Pause, Stop, Rewind, Fast play, Slow play, Next file, Previous file, Next camera, Previous camera, Full screen, Repeat, Shuffle, Backup selection, Digital zoom
Backup Mode	Flash drive / USB HDD / USB CD&DVD-RW / Network download

HED-NR0404M

Network	
Ethernet	RJ-45 port (10/100M/1000M)
Network Function	HTTP, TCP/IP, UPNP, RTSP, UDP, SMTP, NTP, DHCP, DNS, IP Filter, PPPOE, DDNS, FTP, Alarm Server, IP Search(Support IP camera, DVR, NVS etc)
Max Remote Users	20 Users simultaneously
Remote Operation	Monitor, PTZ control, Playback, System setting, File download, Log information
Hard Disk	
Hard Disk	2 SATA ports, Up to 6TB
Space Occupation	Max 3.6GB/H per channel
HDD Management	HDD Group, HDD hibernation technology, HDD faulty alarm & Raid(Redundancy)
Auxiliary Interface	
USB Interface	2 ports, 1 for mouse control, 1 for backup
RS232	Keyboard, PC communication
RS485	PTZ control
Environmental	
Power Supply	DC12V/3.3A
Power Consumption	20W(without HDD)
Working Environment	-10 ~+55°C / 10~90%RH / 86~106kpa
Dimension	1U, 375mm×285mm×45mm(W×D×H)
Weight	2.3KG(without HDD)

System Connection



Prevent Security Systems Ltd.

Tel: 00359 2 978 2025

Fax: 00359 2 978 5870

Email: pss.bulgaria@gmail.com

www.prevent-security.eu