

# HED-NR0804M



## 8 Channel 1U Network Video Recorder



16 channel@D1, 8 channel@720P, 4 channel@1080P IP camera inputs, It can support HDMI, VGA, USB2.0 and 2 HDDs.

### Features

- > 8 channel 1U standalone Network Video Recorder
- > Dual-core CPU presents the powerful preview, recording, playback and network performance
- > Up to 4 channel 1080P cameras realtime live view
- > H.264/MPEG-4 dual codec decoding
- > 16 channel@D1, 8 channel@720P, 4 channel@1080P realtime recording
- > All channel simultaneous realtime playback, GRID interface & smart search
- > Support Multi-brand network cameras such as: Arecont Vision, AXIS, Canon, Dynacolor, Panasonic, SAMSUNG, SANYO, SONY and ONVIF
- > Support remote network camera encoding setting & image adjust
- > IP Search feature to automatically discover network cameras
- > Support 2 SATA HDDs up to 6TB, 2 USB2.0
- > Built-in web server, CMS(DSS/PSS) & DMSS

# HED-NR0804M



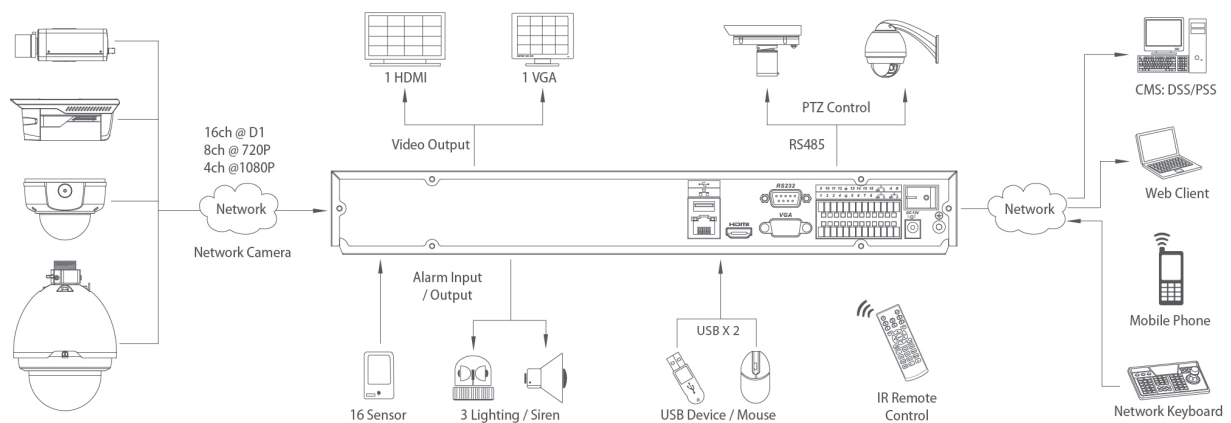
## Specifications

|                                    |   |
|------------------------------------|---|
| <b>Model</b>                       | HED-NR0804M   |
| <b>System</b>                      |   |
| Main Processor                     | High performance Dual-core embedded microprocessor  |
| Operating System                   | Embedded LINUX  |
| System Resources                   | Pentaplex function: live, recording, playback, backup & remote access   |
| Control Mode                       | Front panel, USB mouse, IR remote control, Keyboard, Network  |
| <b>Video</b>                       |   |
| IP Camera Input                    | 16 channel@D1 / 8 channel@720P / 4 channel@1080P  |
| IP Camera Supported List           | Arecont Vision, AXIS, Canon, Dynacolor, Panasonic, SAMSUNG, SANYO, SONY, ONVIF  |
| Output                             | 1 HDMI(video & audio), 1 VGA  |
| <b>Display</b>                     |   |
| Display Split                      | 1/4/8/9/16  |
| Resolution                         | 1920×1080, 1280×1024, 1280×720, 1024×768  |
| Tour Display                       | Support   |
| Privacy Masking                    | 4 self-defined four-sided zones for privacy masking for each camera   |
| OSD                                | Camera title, time, video loss, camera lock, motion detection, recording  |
| <b>Recording</b>                   |   |
| Compression                        | H.264 / MPEG4   |
| Recording Resolution               | 1080P(1920×1080) / 720P(1280×720) / D1 (704×576/704×480)  |
| Recording Speed                    | Up to 400/480fps@D1<br>Up to 200/240fps@720P<br>Up to 100/120fps@1080P  |
| Recording Bit Rate                 | Up to 32Mbps  |
| Recording Quality                  | CBR, VBR(1~6 level, level 6 is the best)  |
| Recording Mode                     | Manual, Schedule(Regular(Continuous), MD(Video detection: Motion detection, Camera blank, Video loss), Alarm), Stop   |
| Recording Priority                 | Manual >Alarm >MD >Regular  |
| Recording Interval                 | 1~120 min (default: 60 min)   |
| <b>Video Detection &amp; Alarm</b> |   |
| Trigger Events                     | Recording, PTZ movement, Tour, Alarm, Email, FTP, Buzzer & Screen tips  |
| Motion Detection                   | Zones: 396(22×18), Sensitivity: 1~6 (level 6 is highest)  |
| Video Loss & Camera Blank          | Support   |
| Alarm Input                        | 16 channel  |
| Relay Output                       | 3 channel   |
| <b>Playback &amp; Backup</b>       |   |
| Playback Channel                   | 1/2/4/All   |
| Search Mode                        | Time/Date, Alarm, MD & Exact search (accurate to second), Smart search  |
| Playback Function                  | Play, Pause, Stop, Rewind, Fast play, Slow play, Next file, Previous file, Next camera, Previous camera, Full screen, Repeat, Shuffle, Backup selection, Digital zoom |
| Backup Mode                        | Flash drive / USB HDD / USB CD&DVD-RW / Network download  |

# HED-NR0804M

| <b>Network</b>             |  |
|----------------------------|--|
| Ethernet                   | RJ-45 port (10/100M/1000M)   |
| Network Function           | HTTP, TCP/IP, UPNP, RTSP, UDP, SMTP, NTP, DHCP, DNS, IP Filter, PPPOE, DDNS, FTP, Alarm Server, IP Search(Support IP camera, DVR, NVS etc) |
| Max Remote Users           | 20 Users simultaneously  |
| Remote Operation           | Monitor, PTZ control, Playback, System setting, File download, Log information   |
| <b>Hard Disk</b>           |  |
| Hard Disk                  | 2 SATA ports, Up to 6TB  |
| Space Occupation           | Max 3.6GB/H per channel  |
| HDD Management             | HDD Group, HDD hibernation technology, HDD faulty alarm & Raid(Redundancy)   |
| <b>Auxiliary Interface</b> |  |
| USB Interface              | 2 ports, 1 for mouse control, 1 for backup   |
| RS232                      | Keyboard, PC communication   |
| RS485                      | PTZ control  |
| <b>Environmental</b>       |  |
| Power Supply               | DC12V/3.3A   |
| Power Consumption          | 20W(without HDD)   |
| Working Environment        | -10 ~+55°C / 10~90%RH / 86~106kpa  |
| Dimension                  | 1U, 375mm×285mm×45mm(W×D×H)  |
| Weight                     | 2.3KG(without HDD)   |

## System Connection



### Prevent Security Systems Ltd.

Tel: 00359 2 978 2025

Fax: 00359 2 978 5870

Email: [pss.bulgaria@gmail.com](mailto:pss.bulgaria@gmail.com)

[www.prevent-security.eu](http://www.prevent-security.eu)